

DIAPHRAGM ACCUMULATOR (WELDED, REFILLABLE)



PRODUCT DESCRIPTION

- Diaphragm accumulators correspond to the European directive 2014/68/EU
- Welded, refillable design with a gas port (M28 x 1,5)
- Usage as hydraulic energy accumulators in diverse types for many different areas of application
- Diaphragm accumulators vary in: nominal volume, permissible operating pressure, gas pre-load, diaphragm material and fluid connection.

PRODUCT ADVANTAGES

- Through the gas port are inspections and poss. adjustments of the gas pre-load possible
- Common oil connections available with standard products, further options are available on request
- Covering a large temperature range with different diaphragm materials
- High functional safety and longevity
- Operation optimized applications with pressures of up to 350 bar

APPLICATION

Several applications possible, e.g. in:

- Machines with hydraulic drives
- Presses
- Agricultural- and construction machines
- Modern industrial robots
- Gear Technology
- Braking Systems
- High-pressure cleaner
- Drive hydraulics
- Noise minimization
- Vibration reduction
- Axle suspension
- Driver's cabs

MATERIAL

Housing	Steel
Suggested Oil Type	Nitrogen/ Mineral oil of fluid group 2

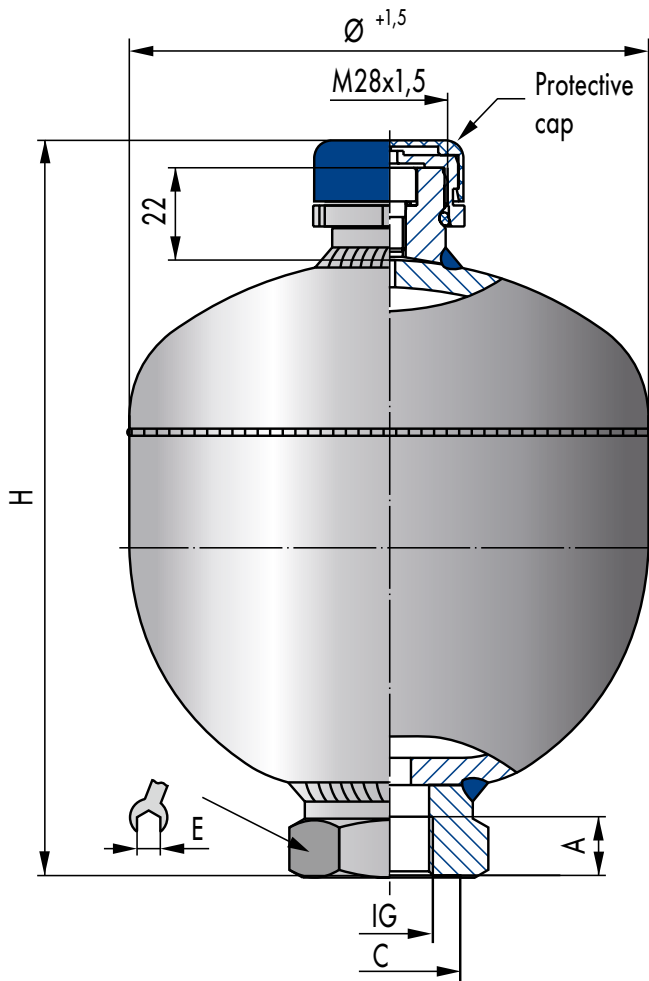
The permitted working temperature of our diaphragm accumulators are dependent on the application limits of the metal materials (housing) and the diaphragm materials.

Diaphragm Material	Perm. Operating Temperature
NBR	-20 °C ... +80 °C
ECO	-40 °C ... +80 °C

Different diaphragm materials on request.

OPERATING CONDITIONS

Gas filling	Pure nitrogen, required gas filling must be specified when placing the order.
Hydraulic fluid	See attached table "Recommended Oil Types".
Installation position	Optional, preferably vertically.
Filling and testing device DFM	→ Filling device for diaphragm accumulators with a M28 x 1,5 gas connection

FITTING & INSTALLATION**DIRECTIVES**

Our Diaphragm accumulators correspond to the European directive on pressure equipment 2014/68/EU, article 4 paragraph 3.

Installation and operation

→ Operating instruction.

Calculation and design.

→ Technical manual (Available on request).

GAS FILLING PRESSURE

Catalogue articles do contain a gas pre-charge of 0 bar.

Please specify the gas fill pressure, if departing from 0 bar, when placing the order.